

# FK **FUKE** 福客®

## FK-100E

**FUKE**

Boutique Manufacturing,

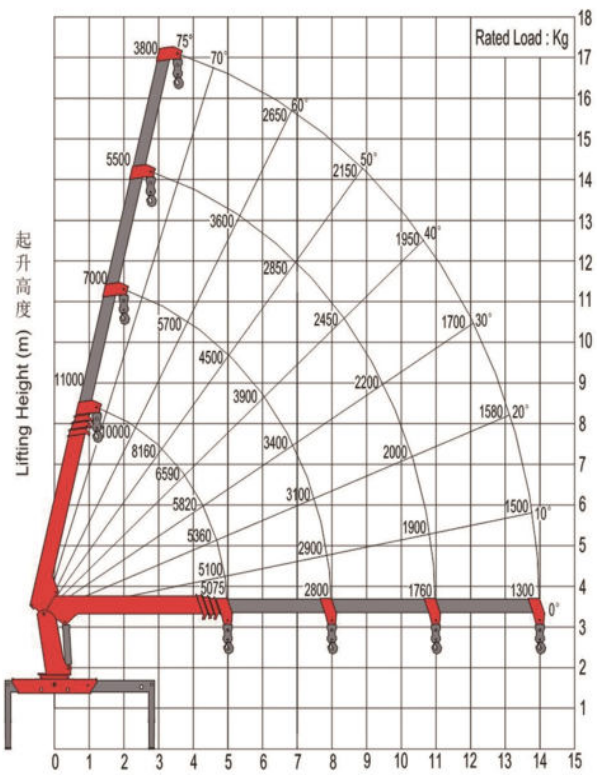
Conquer The World with Quality



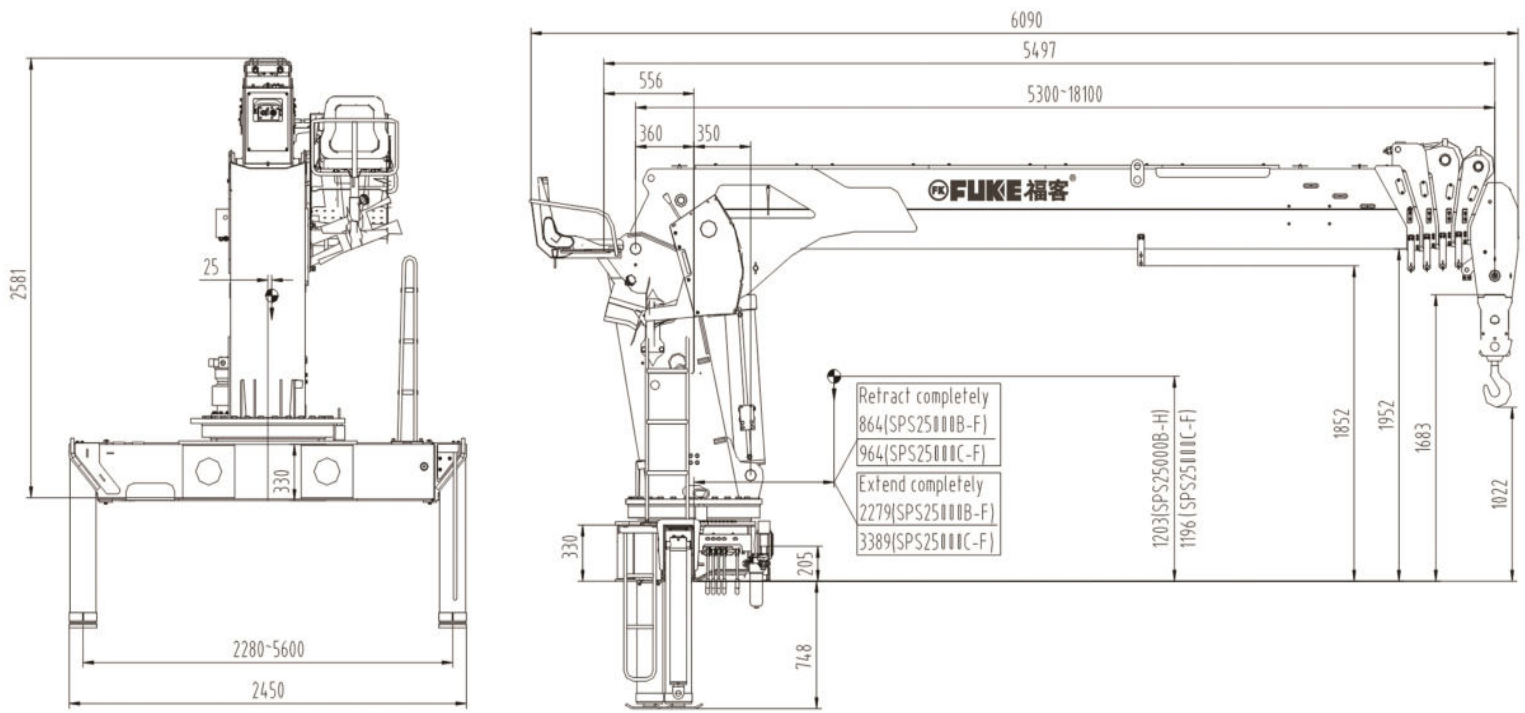
### > Product Description

- Extra-long boom, wider operating range
- Better than the industry's hydraulic system, superior performance, with combined action function
- Large-span outriggers have stronger overall machine stability
- High safety factor design, higher reliability
- Standard warning horn
- Standard work light
- Standard high pressure filter
- Standard configuration of winch over-winding alarm and over-winding protection

### > Lifting Performance Graph



NOTE  
The above lifting height and boom angles are based on a straight (unladen) boom. Allowance should be made for boom deflection under laden conditions.



> Lifting performance parameter table

> Technical Parameters

Basic Data	FUKE FK-100E
Rated lifting moment	25 mt
Rated lifting capacity	10000 kg (2.5 m)
Max. outreach	14.0 m
Max. lines of the hook	6
Slewing angle	Continuous
Boom raising angle	0 ~ 75 °
Max lifting height (the measurement from the ground after the outriggers fully extended)	16.1 m
Length of the boom system (retracted)	5.3 m
Length of the boom system (fully extended)	14.3 m
Boom sections	4
Outrigger span (fully extended)	5.6 m
Recommended flow rate	60 ~ 90 L/MIN
Operating pressure	31 Mpa
Recommended oil tank capacity	200 L
Crane moment(dynamic)	416.0 kNm 42.4mt
Torsional moment(dynamic)	26.3 kNm 2.7mt
Crane weight	3820 / 3850 kg (Ground/High)

\*We follows the principle of continuous improvement Product performance parameters will be partially changed due to technical improvements without prior notice.

Amplitude	Arm length (fully extended outriggers, hanging from the rear side)				
	5.3	8.5	11.7	14.9	18.1
1.8	16000				
2.0	14920				
2.5	12850	11260			
3.0	11390	9810	8130		
3.5	10280	8730	7300	7020	
4.0	9390	7890	6640	6370	
4.5	8650	7220	6090	5830	5680
5.0	7970	6670	5640	5380	5240
5.5	7190	6200	5260	5000	4860
6.0		5800	4930	4680	4540
6.5		5450	4640	4400	4260
7.0		5130	4850	4150	4020
7.5		4840	4380	3930	3800
8.0		4550	4160	3730	3610
8.5		4230	3950	3560	3440
9.0		3480	3760	3400	3280
9.5			3590	3250	3140
10.0			3420	3110	3010
10.5			3260	2990	2890
11.0			3090	2870	2780
12.0			2800	2760	2680
12.5				2650	2580
13.0				2550	2490
13.5				2450	2410
14.0				2340	2330
14.5				2220	2250
15.0				2070	2180
15.5					2100
16.0					2030
16.5					1960
17.0					1890
17.5					1800
18.0					1700
18.5					1540
18.6					1410
Recommended magnification	6	4	4	4	2

