

FK FUKU 福客®

FK-910G

进 取 不 止

FUKE

**Boutique Manufacturing
Conquer The World With Quality**



Basic Configuration

Bucket capacity

0.8m³

Operation weight

3800kg

Rated load

1600kg

Wheel base

2150mm

*We follows the principle of continuous improvement Product performance parameters will be partially changed due to technical improvements without prior notice.

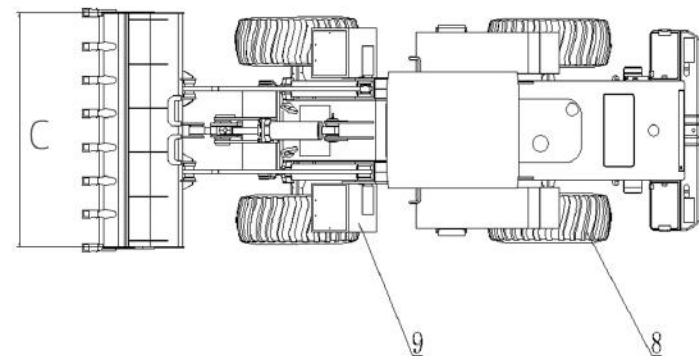
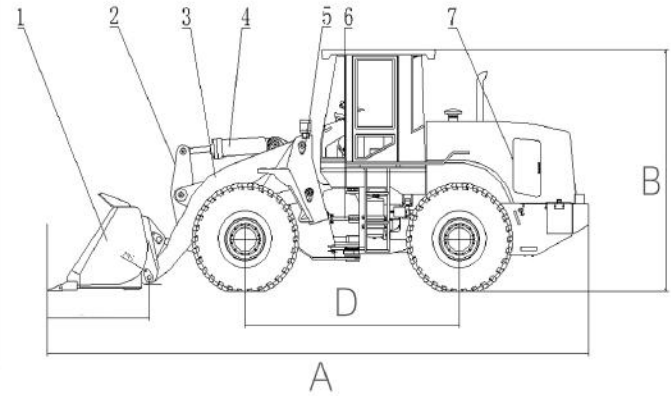
Anhui Fuke Heavy Industry Equipment Co., Ltd.

Web: www.fukeonline.com

Basic Parameters

- Bucket capacity: 0.8m³
- Rated load: 1600kg
- Wheel base: 2150 mm (D)
- Wheel Tread: 1400 mm
- Min. ground clearance: 380mm
- Max. dumping height: 2700mm
- Dump distance: 860mm
- Total times: 10s
- Operation weight: 3800kg
- Engine model: Yuchai
- Rated power/ speed: 42kw/2200 rpm
- Dimension (L*W*H):5210*1760*2580 mm (A*B*C)
- Tyre: 23.5-16
- Strong bearing
- Driving comfort
- Easy maintenance
- Reliable structure
- Excellent efficiency
- Booster
- Car air conditioner
- Protective Device
- GPS positioning
- On-board repair tools
- CD Player
- Fire extinguisher

Loader Outline



Accessories



*We follows the principle of continuous improvement Product performance parameters will be partially changed due to technical improvements without prior notice.

Contact us:

Sun Xianfeng - Phone/Whatsapp:+8613505697380 |

Email:fk002@fukebn.com/fuke7380@gmail.com |

Mr.Zhang - Phone/Whatsapp:+8613291848418 | Email:zh@fukebn.com

Web:

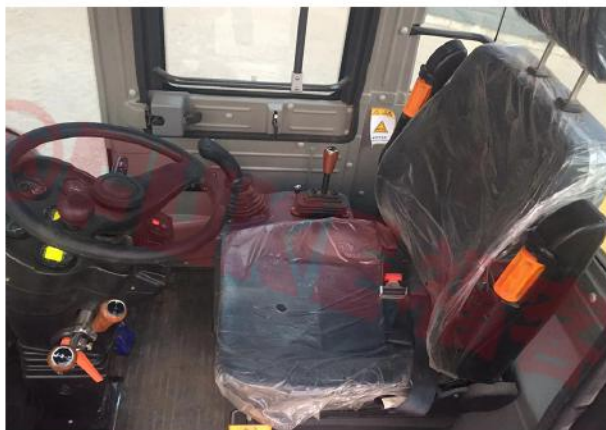
www.fukeonline.com



Type 1 Mechanical Operating System



Type 2 Pilot Operating System



Type 3 Advanced Operating Systems

(Pilot and Image Operating Systems)



*We follows the principle of continuous improvement Product performance parameters will be partially changed due to technical improvements without prior notice.

Contact us:

Sun Xianfeng - Phone/Whatsapp:+8613505697380 |

Email:fk002@fukebn.com/fuke7380@gmail.com |

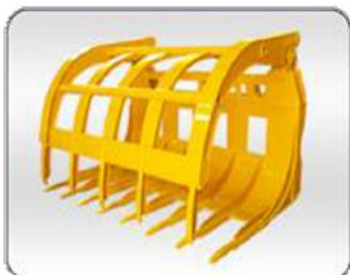
Mr.Zhang - Phone/Whatsapp:+8613291848418 | Email:zh@fukebn.com

Web:
www.fukeonline.com



Loader accessories

▼ Grass cutter



▼ Clamping machine



▼ Sliding fork



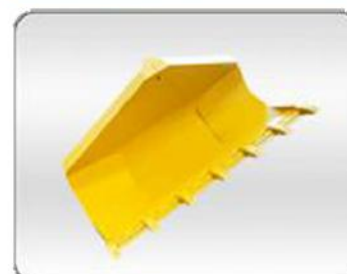
▼ Flat fork



▼ Coal scuttle



▼ Side dump



▼ Rock bucket



▼ Breaker



▼ Snowplow



▼ Snow shovel



▼ Quick change tooling



*We follow the principle of continuous improvement. Product performance parameters will be partially changed due to technical improvements without prior notice.

Contact us:

Sun Xianfeng - Phone/Whatsapp: +8613505697380 |

Email: fk002@fukebn.com / fuke7380@gmail.com |

Mr. Zhang - Phone/Whatsapp: +8613291848418 | Email: zh@fukebn.com

Web:

www.fukeonline.com

