

**FK11-4T**



FUKE FK11-4T **Basic Information**

Rated capacity  
**4000kg**

Service weight  
**6200kg**

Rated output/r.p.m  
**60/2200kw/rpm**



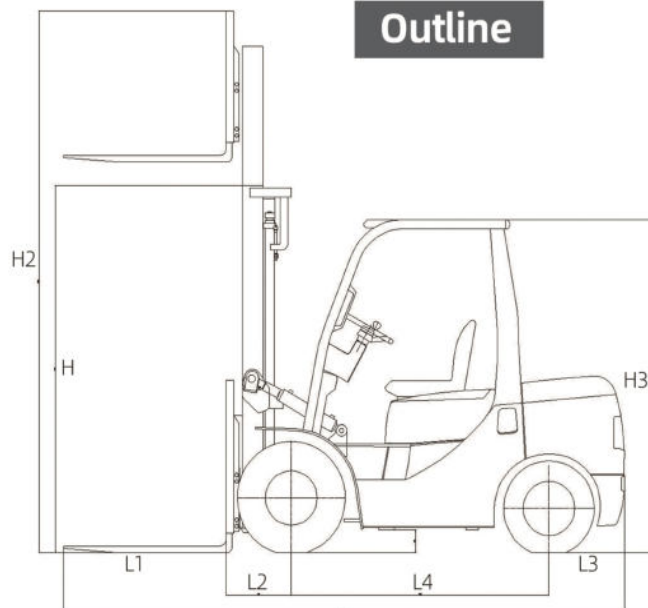
Customization and assistive devices



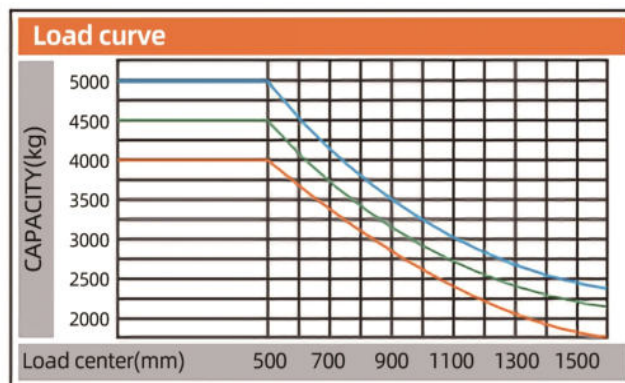
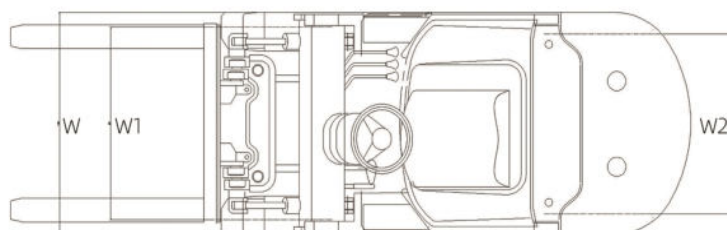
## Technical Specification

Model	FK11-4T	
Power Type	Diesel	
Rated Capacity	4000 kg	
Load Centre	500 mm	
Service Weight	6200 kg	
Tyre Size(Front)	3.00-15-18PR	
Tyre Size(Rear)	7.00-12-12PR	
Front Tread	1180 mm	W1
Rear Tread	1190 mm	W2
Wheelbase	2100 mm	L4
Fork Size(LxWxT)	1070x150x55 mm	L1
Mast Tilt Angle (F/R)	6/12 deg	$\alpha/\beta$
Lift Height	3000 mm	H
Mast Lowered Height	2330 mm	H1
Free Lift Height	150 mm	H5
Mast Extended Height	4165 mm	H2
Length to Face of Fork	3260 mm	L
Overall width	1460 mm	W
Overhead Guard Height	2340 mm	H3
Front Overhang	579 mm	L2
Rear Overhang	580 mm	L3
Turning Radius (outside)	2910 mm	r
Ground Clearance (Bottom at mast)	150 mm	H4
Min. Intersecting aisle	2920 mm	Ra
Min. Right angle stacking aisle width	4740 mm	RASA
Max. Travel Speed (Full load/No load)	19/20 km/h	
Lifting Speed(Full load/No load)	420/430 mm/s	
Lowering Speed (Full load/No load)	$\leq 600 / \geq 300$ mm/s	
Max. Gradeability (Full load)	20%	
Engine Model	Yuchai	
Rated output/r.p.m	60/2200 kw/rpm	
Rated torque/r.p.m	300/1600-1800 Nm/rpm	
No. of cylinder	4	
Bore x stroke	98x115 mm	
Displacement	3.47 L	
Fuel Tank Capacity	130 L	
Battery (Vollage/capacity)	2x12/80 V/Ah	

## Outline



RASA Right-Angle Stack Aisle  
 a: Safety Clearance  
 b: Load Length



Note:  
 Capacities shown are computed with upright in vertical position. Based on a 1000 mm cube load configuration with the center of gravity at the true center of the cube and standard forks. Truck capacities with upright in forward tilt position will be less. Long forks and unusually wide or loads may also reduce capacity.

