

FK11-2T



FUKE FK11-2T **Basic Information**

Rated capacity
2000kg

Service weight
3540kg

Rated output/r.p.m
36.8/2650kw/rpm



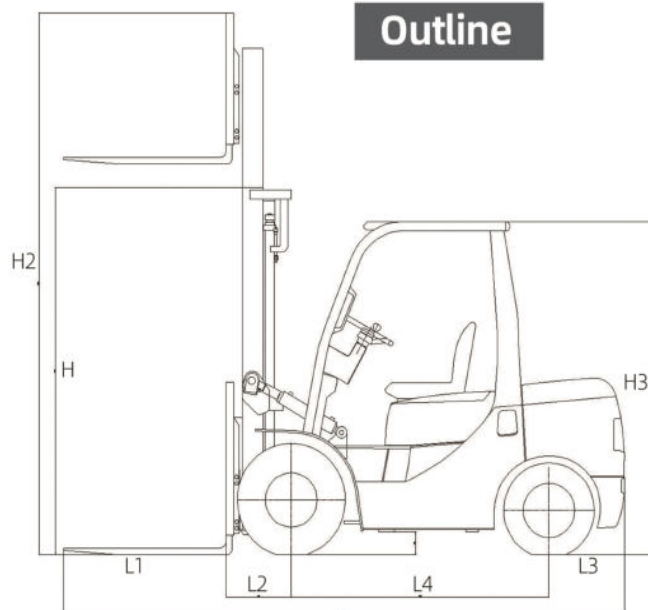
Customization and assistive devices



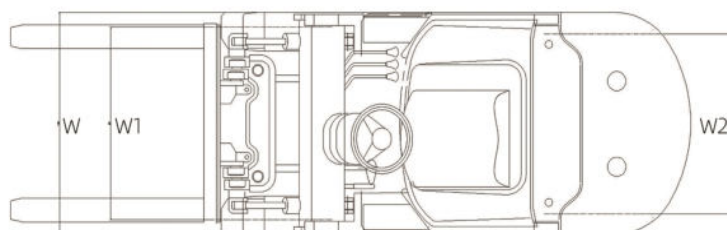
Technical Specification

Model	FK11-2T	
Power Type	Diesel	
Rated Capacity	2000 kg	
Load Centre	500 mm	
Service Weight	3540 kg	
Tyre Size(Front)	7.00-12-12PR	
Tyre Size(Rear)	6.00-9-10PR	
Front Tread	970 mm	W1
Rear Tread	970 mm	W2
Wheelbase	1600 mm	L4
Fork Size(LxWxT)	1070x120x40 mm	L1
Mast Tilt Angle (F/R)	6/12 deg	α/β
Lift Height	3000 mm	H
Mast Lowered Height	2055 mm	H1
Free Lift Height	120 mm	H5
Mast Extended Height	4070 mm	H2
Length to Face of Fork	2595 mm	L
Overall width	1150 mm	W
Overhead Guard Height	2130 mm	H3
Front Overhang	465 mm	L2
Rear Overhang	530 mm	L3
Turning Radius (outside)	2290 mm	r
Ground Clearance (Bottom at mast)	110 mm	H4
Min. Intersecting aisle	2380 mm	Ra
Min. Right angle stacking aisle width	3975 mm	RASA
Max. Travel Speed (Full load/No load)	18/19 km/h	
Lifting Speed(Full load/No load)	530/570 mm/s	
Lowering Speed (Full load/No load)	$\leq 600 / \geq 300$ mm/s	
Max. Gradeability (Full load)	20%	
Engine Model	Yuchai	
Rated output/r.p.m	36.8/2650 kw/rpm	
Rated torque/r.p.m	156/1700-1900 Nm/rpm	
No. of cylinder	4	
Bore x stroke	90x105 mm	
Displacement	2.67 L	
Fuel Tank Capacity	60 L	
Battery (Vollage/capacity)	12/80 V/Ah	

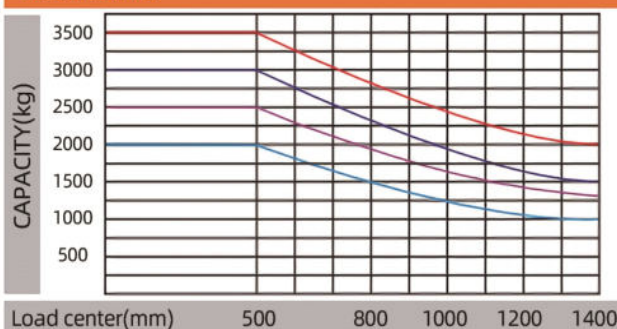
Outline



RASA Right-Angle Stack Aisle
 a: Safety Clearance
 b: Load Length



Load curve



Note:
 Capacities shown are computed with upright in vertical position. Based on a 1000 mm cube load configuration with the center of gravity at the true center of the cube and standard forks. Truck capacities with upright in forward tilt position will be less. Long forks and unusually wide or loads may also reduce capacity.



*We follows the principle of continuous improvement Product performance parameters will be partially changed due to technical improvements without prior notice.